

3.2x2.5mm for GPS



RoHS Compliant

### Features

- Crystal unit for GPS Products
- Miniature and low profile (3.2x2.5x0.55mm)
- Ceramic package
- Reflow compatible

### Applications

- GPS

### How to Order

**CX3225SB** **19200**

- |                            |                               |
|----------------------------|-------------------------------|
| ① Series                   | ② Frequency                   |
| ③ Load Capacitance         | ④ Frequency Tolerance         |
| <b>D0</b> 8 pF             | <b>G</b> ±10×10 <sup>-6</sup> |
| ⑤ Operating Temp. Range    | ⑥ Frequency Temp. Stability   |
| <b>LJ</b> -30 to +85°C     | ±15×10 <sup>-6</sup>          |
| ⑦ Individual Specification |                               |

Packaging (Tape & Reel 1000/ 3000 pcs./ reel)

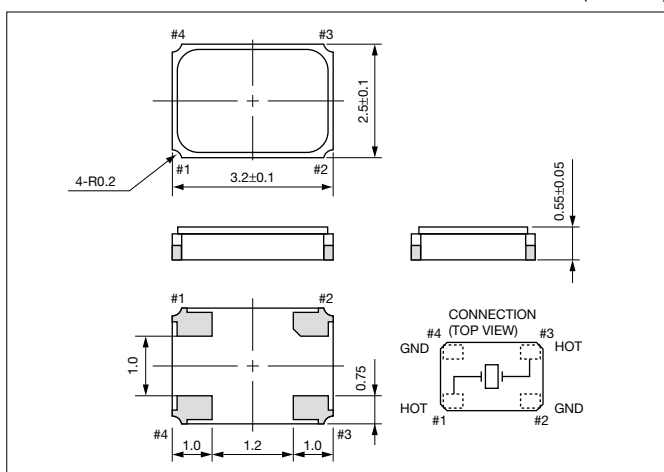
### Specifications

Item	Symbol	Specification	Units	Remarks
Frequency Range	f <sub>nom</sub>	19200   26000	kHz	
Overtone Order	OT	Fundamental	—	
Load Capacitance	CL	8	pF	Please contact us for other Load Capacitance.
Frequency Tolerance	f <sub>tol</sub>	±10	×10 <sup>-6</sup>	25°C±3°C
Motional Series Resistance	R1	80   50	ohm	
Drive Level	DL	10	μW	
Operating Temp. Range	T <sub>use</sub>	-30 to +85	°C	
Storage Temp. Range	T <sub>stg</sub>	-40 to +85	°C	
Frequency Temp. Characteristics	f <sub>tem</sub>	±15	×10 <sup>-6</sup>	Freq. deviation from the value at 25°C

Please contact us for other specifications.

### Dimensions

(Unit: mm)



### Recommended Land Pattern

(Unit: mm)

